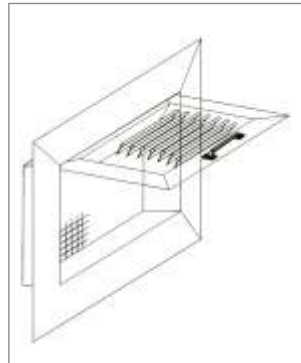
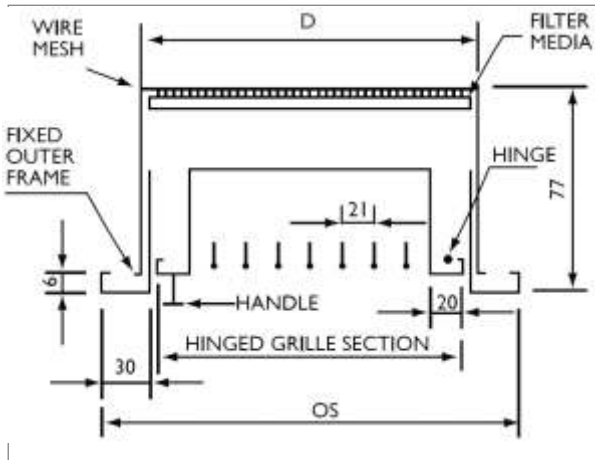


GRILLES



Return Air Filter Frame Grille - RAFF



TYPE RAFF: Return Air Filter Frame Grille manufactured of extruded type 50S Anodising grade aluminium. This Grille consists of a fixed outer frame and hinged inner frame with grille core for easy installation and replacement of filters. Core can be of fixed blade type (RA, RARBISB, DD, SD, EC or WL). The filter media is positioned inside the outer frame behind the hinged grille section. The Grille section is held closed by hidden clips. A handle is provided for opening the grille section. The grille can be utilised without the rear mounted filter section to provide access to air-conditioning plant mounted above ceilings.

All models can be furnished with powder coated white finish preceded by five stage preparation process of cleaning, phosphatizing and drying. Can also be supplied in natural anodize with other colours available on request.

Optical Accessories	OBD =	Opposed Blade Damper
	PC =	Punched counter sunk holes
Dimensions	D =	Normal Duct Size
Frame Options	30mm Standard	
	20mm	
	50mm	
Core	SD =	Standard
		Any of our Standard Blades can be used viz., DD, RA, EC, WL, SGS, SGT.
Finish Options	NA =	Natural Anodised
	EPC =	Epoxy Powder Coating
Blade Spacings	Varies per type of blade	
Filter Options	5mm Washable Synthetic Media - Standard Flat Panel Filter as alternative.	

Ordering Procedure: Example

Ref	Qty	Size (L x H)	Type	Access	Frame	Finish	Special Instructions
1	6	1195 x 595	RAFF	-	30	EPC	"OS" 2 DOORS

Note:

- (1) Dimensions given are over flange size
- (2) First dimensions given is for side on which handle is fitted.



GRILLES

Performance Data RAFF

