

EV Exhaust Air Valves

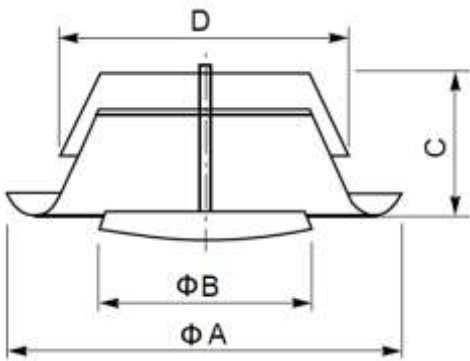


- Suitable for offices, houses, etc, easy installation on the wall or in the ceiling
- Manufactured from sheet steel painted white
- Available also in Stainless steel version EV-S
- The valve body is equipped with a cellular plastic gasket to form an air-tight seal
- The air flow is adjusted by rotating the control disc
- Supplied with mounting ring
- Semi gloss finish 70%
- Specular finish 90%
- Packing: hardboard box in white or brown colour.

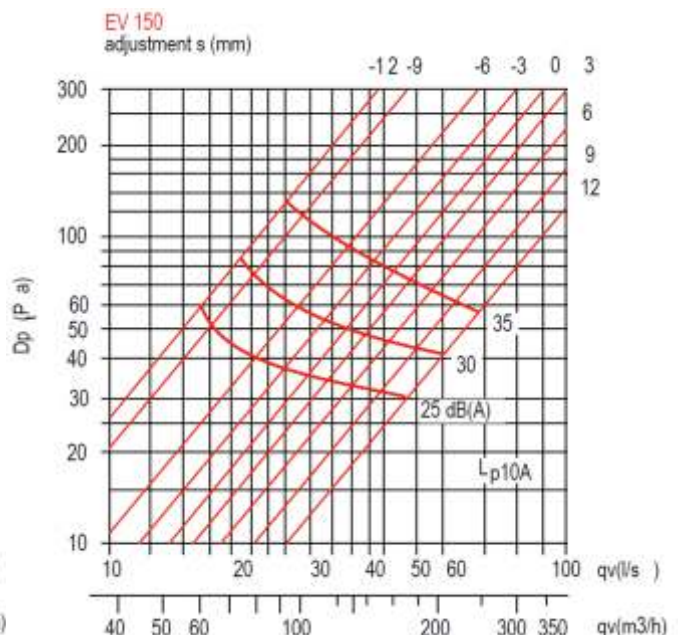
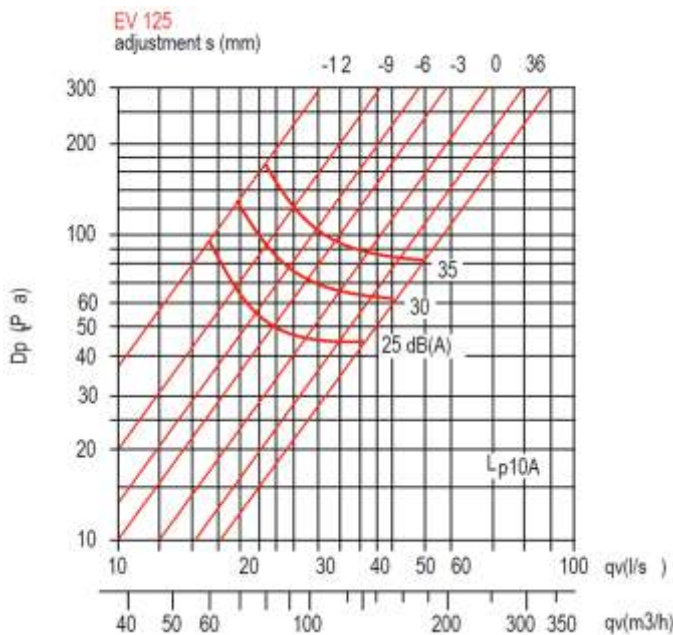
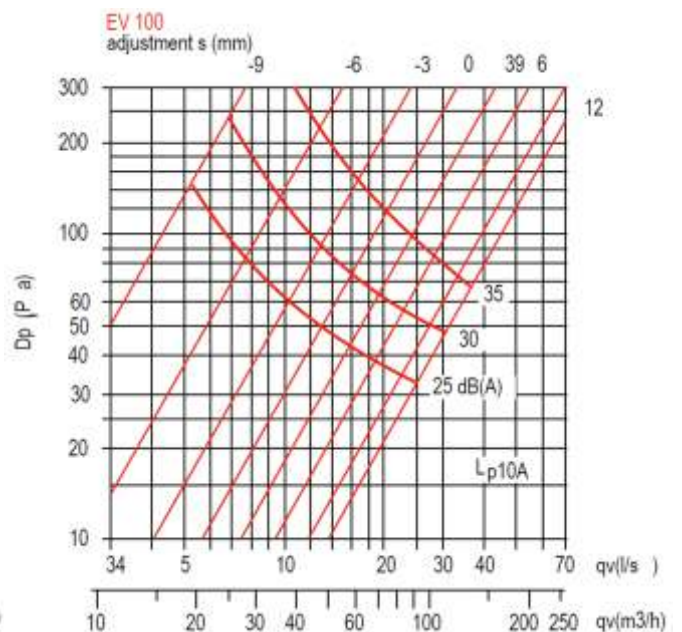
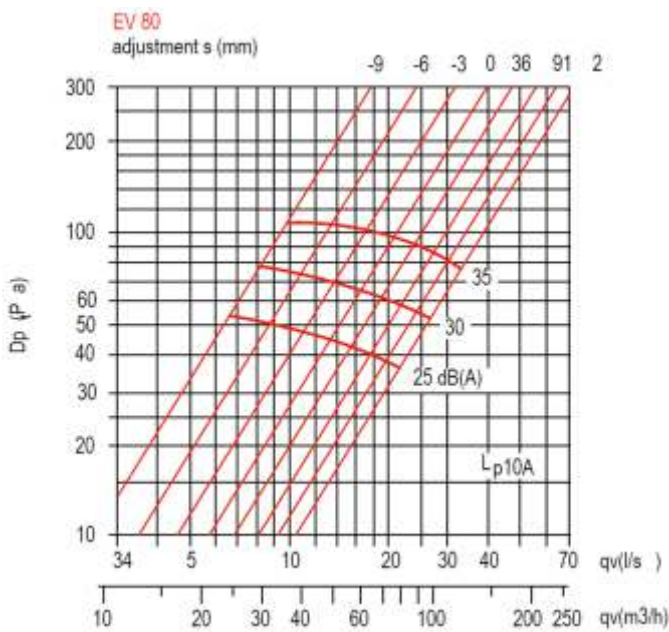


AIR VALVES

EV Exhaust Air Valves



SV	AØ	BØ	C	D	Box
80	115	62	42	77.5	7
100	138	75	40	97.5	7
125	164	100	46	122.5	7
150	202	120	50	147.5	7
160	211	130	54	157.5	7
200	248	158	63	197.5	7
250	305	215	75	248	7



AIR VALVES

EV Exhaust Air Valves

